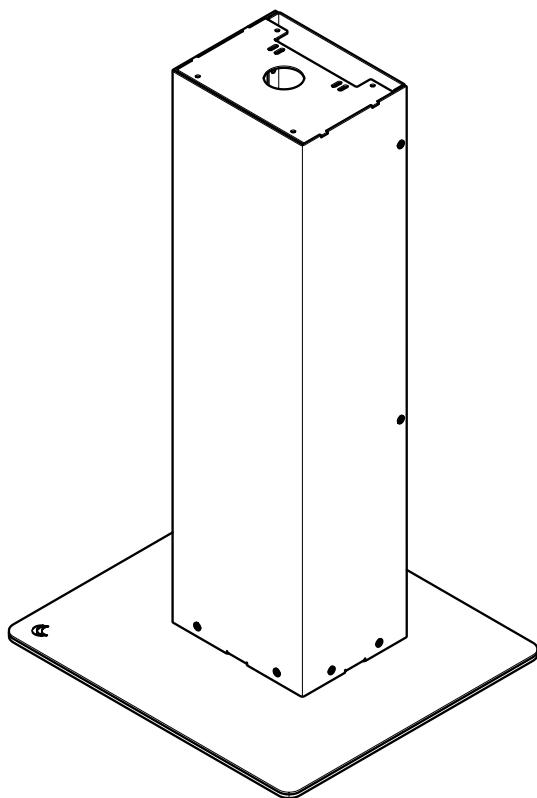


Installation Guide

SPK310

Kiosk Freestanding Module





CAUTION

This product is designed to be either freestanding or bolted to the floor.

This product is stable, when it is freestanding and placed on a flat and level installation location.

If this product is subjected to push force of more than 9kg for any direction, it is recommended that it be bolted to the floor.

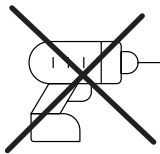
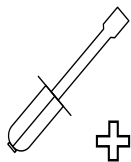
It is the responsibility of the installer to use the appropriate floor fixings for the specific installation location. Please follow the fixing suppliers recommendations for installation. The fixings should be thread size M8 with steel grade 8.8 or better (min. yield strength of 600 N/mm²).

This product is intended for indoor use only.

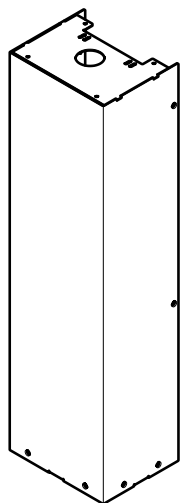
If these installation instructions are not followed correctly, it could lead to product failure and potential personal injury.

Ergonomic Solutions/SpacePole cannot be held responsible for any failure or injury, if the installation instructions are not followed correctly.

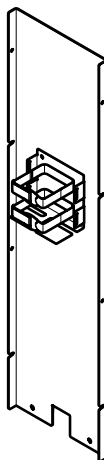
Tool list



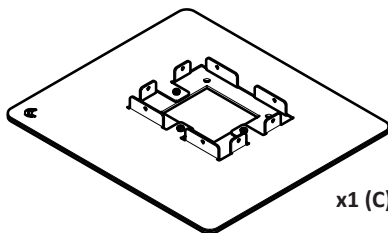
Box content



x1 (A)



x1 (B)



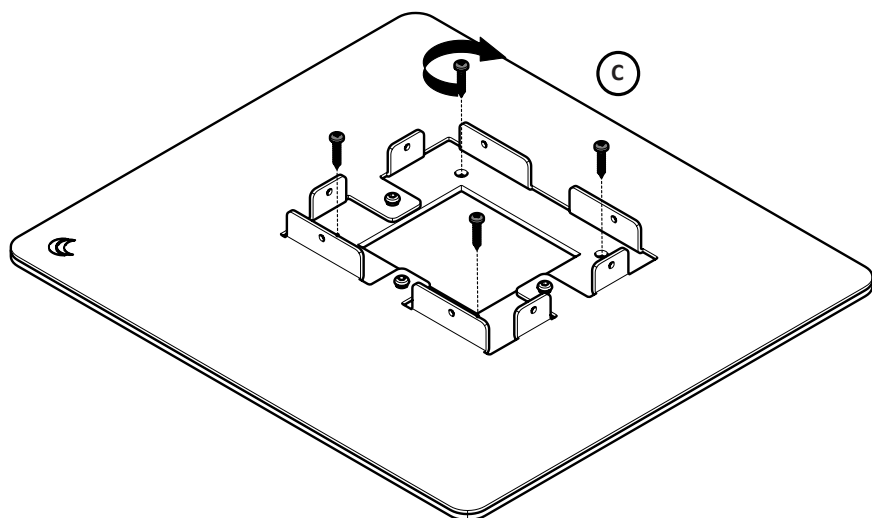
x1 (C)



x16 M5x6 countersunk

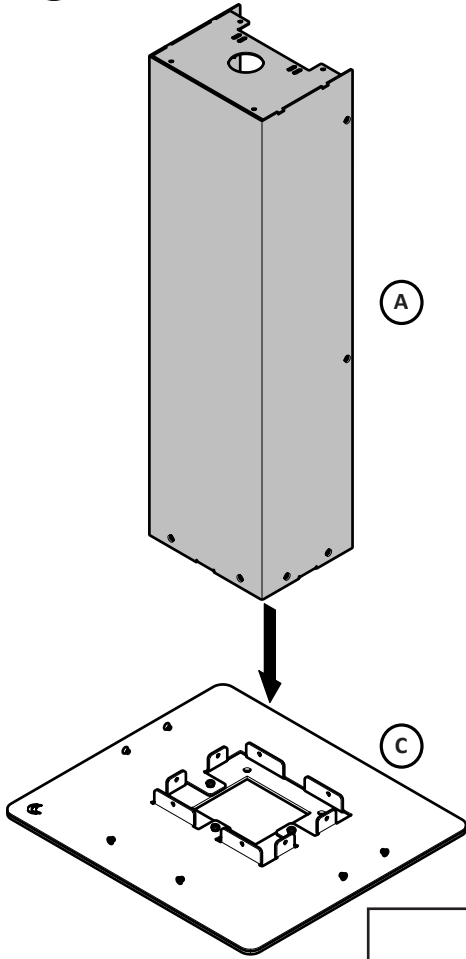
1

Optional: Bolt the baseplate to the floor

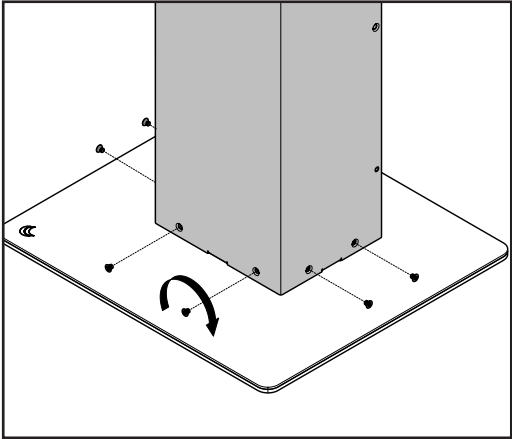


Use appropriate fixing for the floor
(not included).

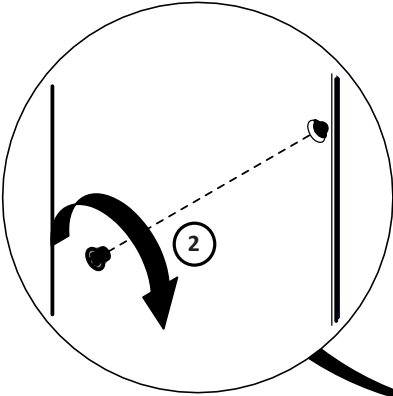
2 Mount the base to the baseplate



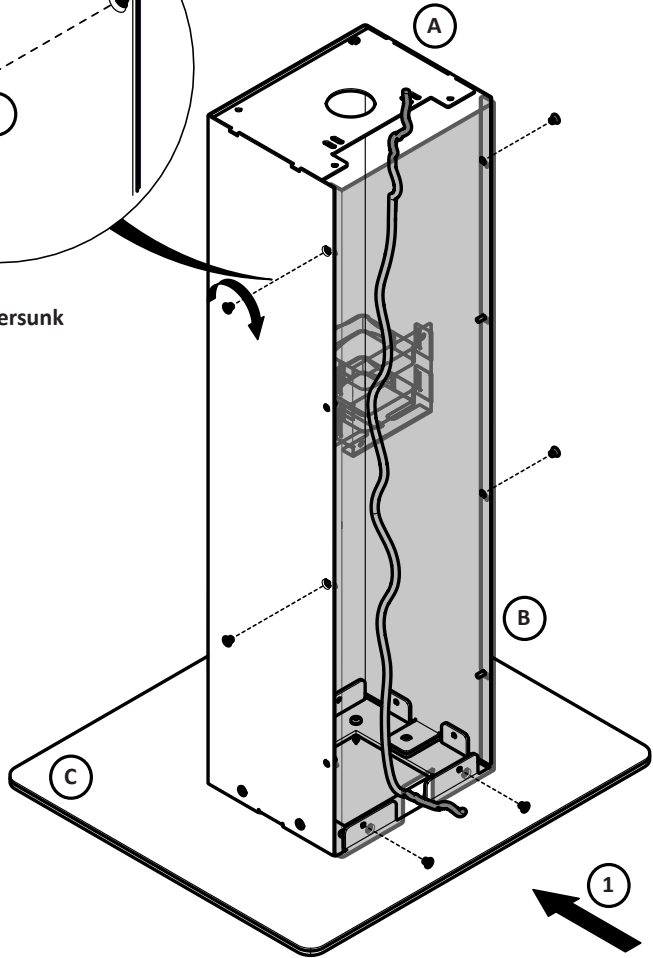
6x M5x6 countersunk



3 Run cables inside and install backplate



6x M5x6 countersunk



Need help? Contact us



 ergonomic[®]
solutions[®]
creators of SpacePole



 spacepole[®]
an ergonomic
solutions company

ergonomic.solutions/about/contact-us

spacepole.com/about/contact-us